

# YUTTAH



## Level Sensor LS10

[www.yuttah.com](http://www.yuttah.com)

The Level Sensor LS10 is developed for linear position/level measurement in industrial applications. The Rod-Shape sensor can be used for level measurement and many other applications.

## Technology

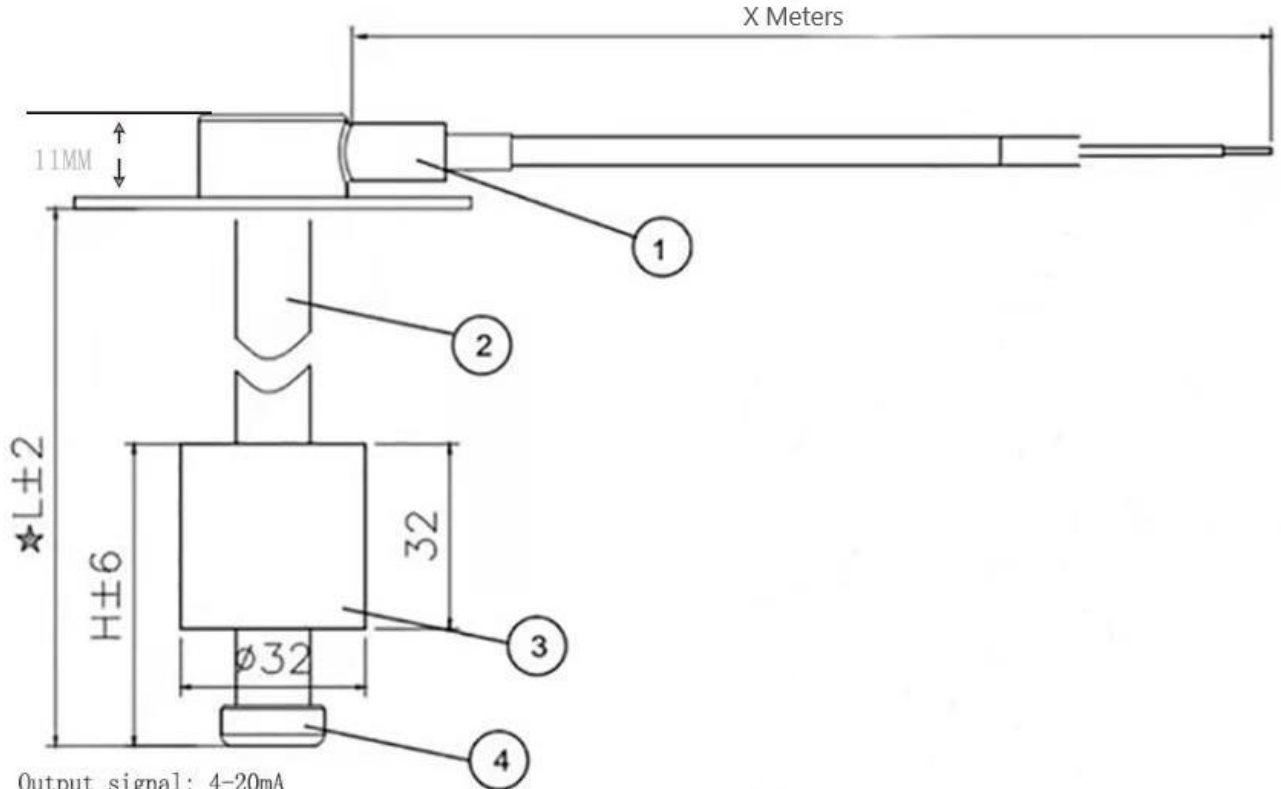
- Precision linear position sensor
- Reed-switch sensor technology
- Measurement ranges up to 5.7 meters
- With an external contactless position magnet
- Available with Analog and Digital outputs
- Easy mounting and direct application



## Specifications

<b>Measurement ranges</b>	All ranges up to 5.7 Meter
<b>Output options</b>	Analog Output: 4 - 20 mA or 20 - 4 mA Digital output: RS485 Modbus
<b>Resolution</b>	0.3 mm
<b>Linearity</b>	±6 mm, ±10 mm, ±20 mm
<b>Supply Voltage</b>	Flexible 12 – 32 VDC
<b>Excitation Current</b>	max. 30 mA
<b>Protection Class</b>	Rod: Submersible IP68 / Head: IP67
<b>Operating Temperature</b>	-40 °C to +85 °C
<b>Housing</b>	Stainless Steel 304 or 316L
<b>Mounting</b>	Customized on request
<b>Weight</b>	As per length
<b>Shock</b>	DIN EN 60068-2-27:2010, 100 g/11 ms, 100 shocks
<b>Vibration</b>	DIN EN 60068-2-6:2008, 20 g 10 Hz-2 kHz, 10 cycles
<b>EMC</b>	DIN EN 61326-1:2013

Drawings



Output signal: 4-20mA

Power supply: 12-32V

L= on request

Brown cable—positive pole

Blue cable—negative pole

Yellow cable—signal output

1, OD21mm, height 11mm

2, Sensor rod diameter 12.7mm, SUS 304

3, NBR float: OD32mm, height 32mm

4, Stopper: diameter 17mm, height 7mm

Dimensions in mm

## Order Codes / Analog Output

LS10 - 2 - 3 - 4 - 5

1

Model

LS10

2

Supply Voltage

SV1: Flexible 12 – 32 VDC  
SV2: 24 VDC (+/- 5%)

3

Output

A1: 4 – 20 mA  
A2: 20 – 4 mA

4

Measurement range

X mm (up to 5700 mm)

5

Mounting

On request (flange, thread, tri-  
clamp, etc.)

Example: LS10 - SV1 - A1 - 2000 - 1 ¼ NPT

## Order Codes / Digital Output

LS10 - 2 - 3 - 4 - 5

1

Model

LS10

2

Supply Voltage

SV1: Flexible 12 – 32 VDC  
SV2: 24 VDC (+/- 5%)

3

Output

RS485 Modbus

4

Measurement range

X mm (up to 5700 mm)

5

Mounting

On request (flange, thread, tri-  
clamp, etc.)

Example: LS10 - SV1 - RS485/M - 2000 - 1 ¼ NPT

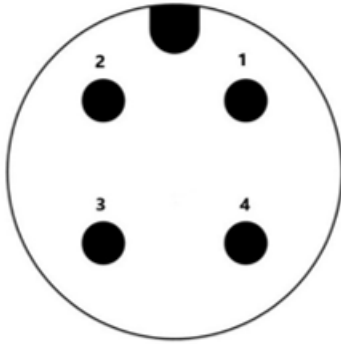
## PINOUT

### Analog Output

M12 male connector, 4 pin

Connector pin no.

Output signals



- 1
- 2
- 3
- 4

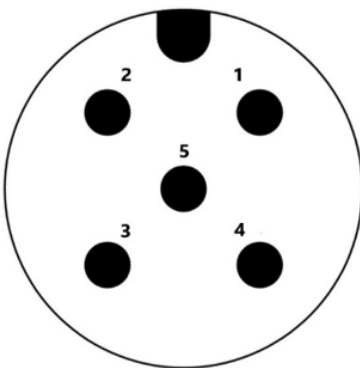
- GND
- Output -
- +V (excitation voltage)
- Do not connect

### RS485 Modbus Output

M12 Male connector, 5 pin

Connector pin no.

Output signals



- 1
- 2
- 3
- 4
- 5

- GND
- Do not connect
- +V (excitation voltage)
- TXD / D- / B
- RXD / D+ / A

## Advantages

- High precision
- Compact and robust
- High resistance against shocks and vibrations
- High protection class
- Non-contact technology
- Wear-free and maintenance-free
- Long lifetime
- Easy mounting and direct application
- Design flexibility

## Applications

- Hydraulic cylinders
- Pneumatic cylinders
- Liquid/Water level (using a float magnet)
- Industrial Applications
- Industrial Vehicles
- Communal Vehicles
- Material Handling
- Forest and Agriculture Machines
- Heavy duty applications
- Power and Energy
- Other Applications

# YUTTAH

## Copyright ©

YUTTAH (FZE)  
A4-53, SAIF Zone  
500001 Sharjah  
United Arab Emirates

Website: [www.yuttah.com](http://www.yuttah.com)

Email: [info@yuttah.com](mailto:info@yuttah.com)

YUTTAH is a leading manufacturer of sensors, located in the United Arab Emirates. Our main product lines are: Position Sensors, Angle Sensors, Inclination Sensors, Acceleration Sensors, Vibration Sensors, Temperature Sensors, Pressure Sensors and Weight Sensors.

It is our main goal to help our customers to fulfil their needs. Our quality products are designed flexible to meet the application requirements of our customers. Our mission is to help our customers in the engineering phase to reach the wished results by providing customer customized sensor solutions. Our team is highly excited to help you in the stages of your development as well as providing a lifetime support. The combination of our know-how, quality products, flexible customized solutions, extensive lifetime support, and our experienced team is the right solution for you.

