

# YUTTAH



## Submersible Level Sensor LS250

[www.yuttah.com](http://www.yuttah.com)

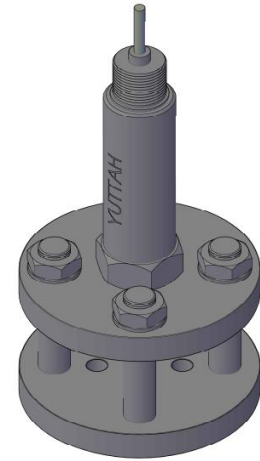
# Submersible Level Sensor LS250

# YUTTAH

The level sensor LS250 is developed for liquid level measurement in many applications. The level sensor LS250 can be used for any measurement ranges up to 250 meter.

## Technology

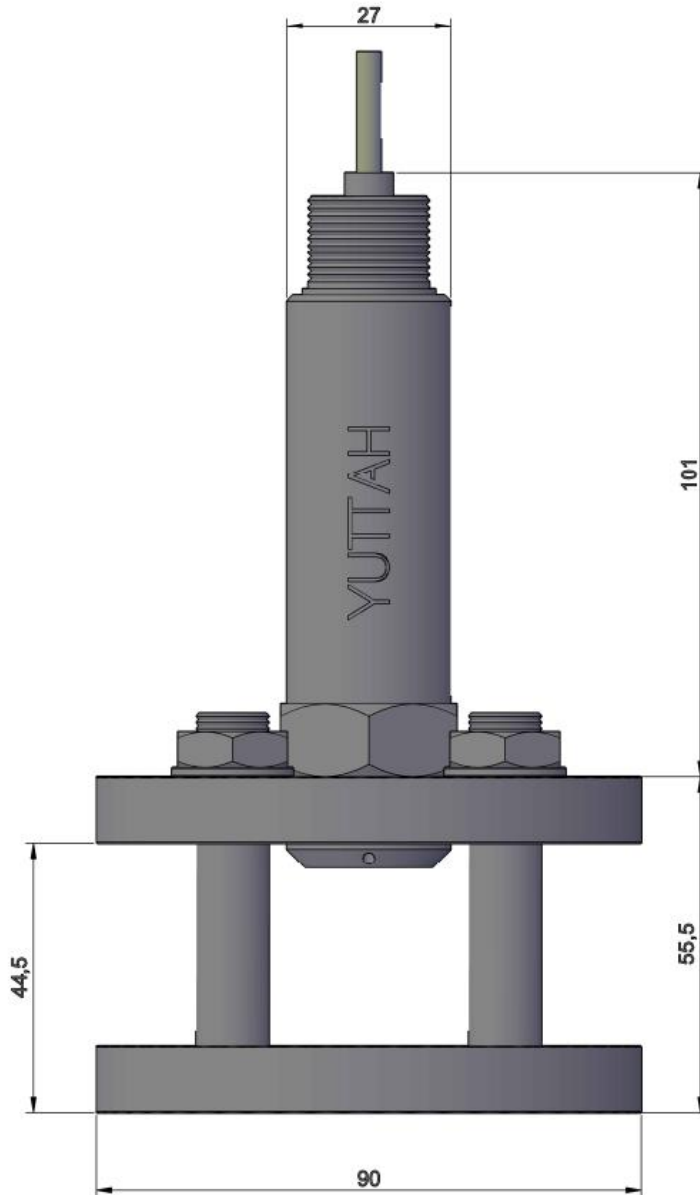
- High-precision level sensor
- Submersible in deep water up to 250 m
- Measurement range up to 250 m
- Level sensing using pressure values
- Analog Output (4 – 20 mA or 0 – 5 V)
- Easy placement and direct application



## Specifications

<b>Measurement ranges</b>	All ranges up to 250 Meter
<b>Output options</b>	Analog Output: 4 - 20 mA or 0 - 5 V
<b>Accuracy</b>	+/- 0.5% F.S
<b>Supply Voltage</b>	Flexible 8 – 30 VDC
<b>Protection Class</b>	IP68 (submersible up to 250m deep In water)
<b>Operating Temperature</b>	-40 °C to +85 °C
<b>Housing</b>	Stainless Steel 304 (SS 316L on request)
<b>Mounting</b>	Free placement or mounting with M6 screws
<b>Weight</b>	4 KG + cable weight
<b>Shock</b>	DIN EN 60068-2-27:2010, 100 g/11 ms, 100 shocks
<b>Vibration</b>	DIN EN 60068-2-6:2008, 20 g 10 Hz-2 kHz, 10 cycles
<b>EMC</b>	DIN EN 61326-1:2013

Drawings



Dimensions in mm

## Order Codes / Analog Output

LS250 - 2 - 3 - 4 - 5

1

Model

LS250

2

Supply Voltage

SV1: Flexible 8 – 30 VDC  
SV2: 24 VDC (+/- 5%)

3

Output

A1: 4 – 20 mA  
A2: 0 – 5 V

4

Measurement range

X m

5

Cable Length

X m

Example: LS250 - SV1 - A1 - 40 - 48

## Order Codes / Digital Output

LS250 - 2 - 3 - 4 - 5

1

Model

LS250

2

Supply Voltage

SV1: Flexible 8 – 30 VDC  
SV2: 24 VDC (+/- 5%)

3

Output

RS485 Modbus

4

Measurement range

X m

5

Cable Length

X m

Example: LS250 - SV1 - RS485/M - 40 - 48

## Advantages

- High precision
- Submersible in water up to 250m deep
- Compact and robust
- High resistance against shocks and vibrations
- High protection class
- Non-contact technology
- Wear-free and maintenance-free
- Long lifetime
- Easy mounting and direct application
- Design flexibility

## Applications

- Water tanks
- Wastewater
- Wells
- Oil tanks
- Sumps
- Reservoirs
- Boreholes
- Sludge, slurry or turbulence
- Chemical storage tanks
- Lift station monitoring
- Liquid level in vented tank
- Landfill leachate monitoring
- Dewatering
- Pump control

# YUTTAH

## Copyright ©

YUTTAH (FZE)  
A4-53, SAIF Zone  
500001 Sharjah  
United Arab Emirates

Website: [www.yuttah.com](http://www.yuttah.com)

Email: [info@yuttah.com](mailto:info@yuttah.com)

YUTTAH is a leading manufacturer of sensors, located in the United Arab Emirates. Our main product lines are: Position Sensors, Angle Sensors, Inclination Sensors, Acceleration Sensors, Vibration Sensors, Temperature Sensors, Pressure Sensors and Weight Sensors.

It is our main goal to help our customers to fulfil their needs. Our quality products are designed flexible to meet the application requirements of our customers. Our mission is to help our customers in the engineering phase to reach the wished results by providing customer customized sensor solutions. Our team is highly excited to help you in the stages of your development as well as providing a lifetime support. The combination of our know-how, quality products, flexible customized solutions, extensive lifetime support, and our experienced team is the right solution for you.

