

# YUTTAH



## Load Cell WE2

[www.yuttah.com](http://www.yuttah.com)

# Load Cell WE2

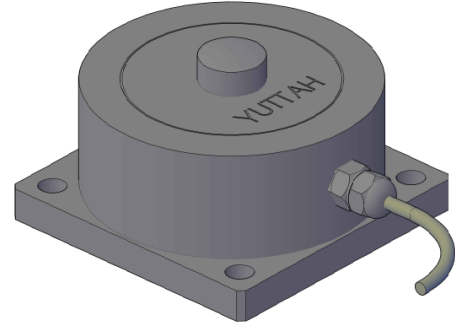
(up to 7 Ton)

# YUTTAH

The spoke-style load cell WE2 provides precise weight measurement. The measurement ranges are: 0 to 20 KN ... up to 0 to 70 KN. The Load Cell WE2 is robust, compact, has a long lifetime, with high resistance to load-deflections and with a high protection class.

## Technology

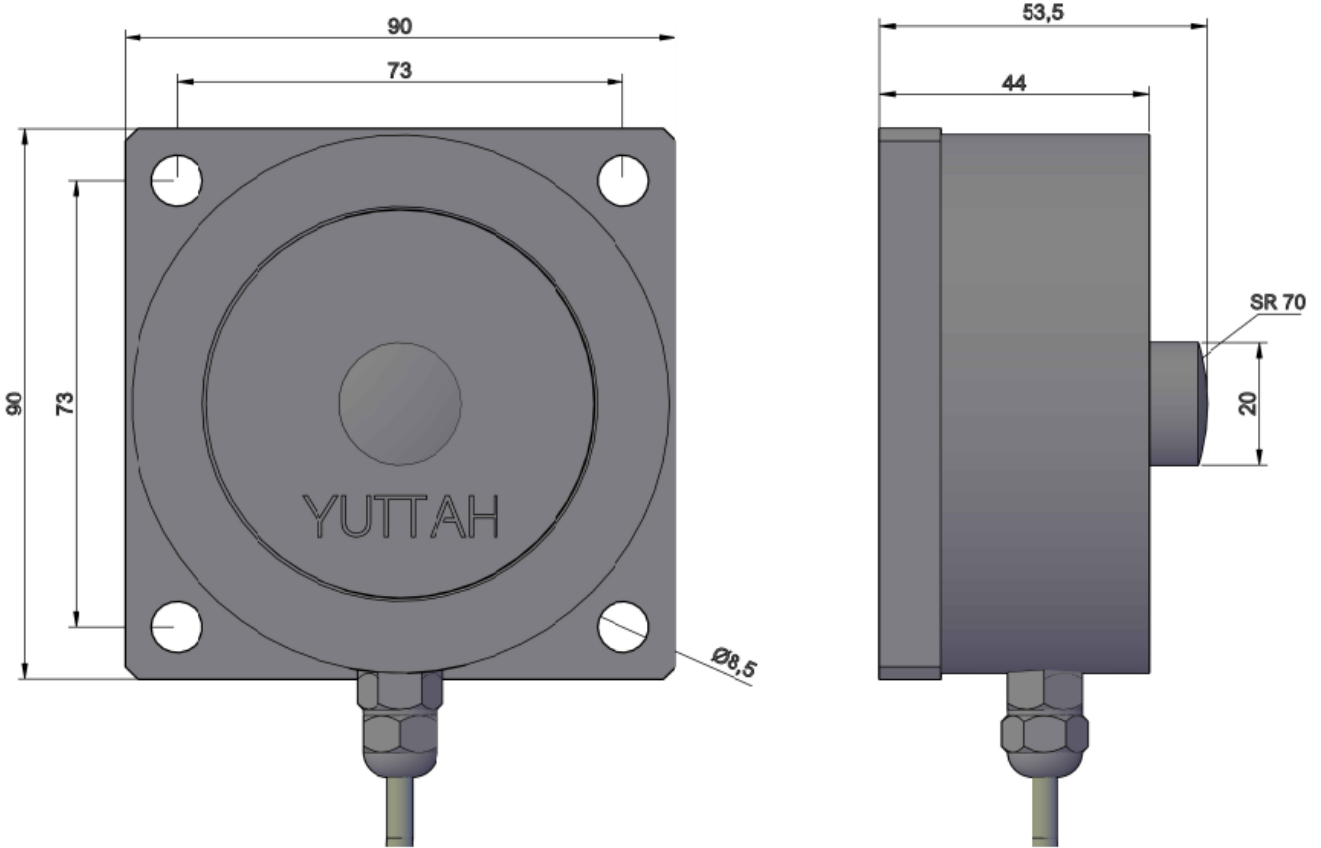
- High-precision Analog load cell
- Compact, robust, and long lifetime
- Spoke style with Low height
- Direct application and easy mounting



## Specifications

|                                     |  |
|-------------------------------------|--|
| <b>Measurement ranges</b>           | 0 to 20 KN ... up to 0 to 70 KN                    |
| <b>Rated output</b>                 | 2.0 mV/V   |
| <b>Supply Voltage</b>               | Flexible 5 – 15 VDC                                |
| <b>Accuracy</b>                     | +/- 0.05 % F.S                                     |
| <b>Input resistance</b>             | 380±10Ω / 750±15Ω                                  |
| <b>Output resistance</b>            | 350±3Ω / 700±5Ω                                    |
| <b>Insulation resistance</b>        | ≥5000MΩ (50VDC)                                    |
| <b>Safe Overload</b>                | 150% F·S   |
| <b>Zero output</b>                  | ±1% F·S  |
| <b>Temperature effect on zero</b>   | ±0.03% F·S/10°C                                    |
| <b>Temperature effect on output</b> | ±0.03% F·S/10°C                                    |
| <b>Protection Class</b>             | IP66   |
| <b>Operating Temperature</b>        | -20 °C to +70 °C                                   |
| <b>Housing</b>                      | Alloy Steel or Stainless Steel (17-4Ph)            |
| <b>Electrical connection</b>        | Cable (with free ends)                             |
| <b>Shock</b>                        | DIN EN 60068-2-27:2010, 100 g/11 ms, 100 shocks    |
| <b>Vibration</b>                    | DIN EN 60068-2-6:2008, 20 g 10 Hz-2 kHz, 10 cycles |
| <b>EMC</b>                          | DIN EN 61326-1:2013                                |

Drawings



Dimensions in mm

## Order Codes / Analog Output

WE2 - 2 - 3 - 4

1

**Model**

WE2

2

**Measurement ranges**

0 to 20 KN ... up to 0 to 70 KN

3

**Housing**

A: Alloy Steel

S: Stainless Steel (grade: 17-4Ph)

4

**Cable Length**

Cable length in meters: Xm

Example: WE2 - 20KN - A - 5M

## Advantages

- High precision
- Compact and robust
- Low height
- High resistance against shocks and vibrations
- High protection class
- Wear-free and maintenance-free
- Long lifetime
- Easy mounting and direct application
- Design flexibility

## Applications

- Industrial Applications
- Food / beverage production lines
- Chemical / pharmaceutical industries
- Industrial Vehicles
- Communal Vehicles
- Material Handling
- Forest and Agriculture Machines
- Heavy duty applications
- Power and Energy
- Medical
- Other Applications

# YUTTAH

## Copyright ©

YUTTAH (FZE)  
A4-53, SAIF Zone  
500001 Sharjah  
United Arab Emirates

Website: [www.yuttah.com](http://www.yuttah.com)

Email: [info@yuttah.com](mailto:info@yuttah.com)

YUTTAH is a leading manufacturer of sensors, located in the United Arab Emirates. Our main product lines are: Position Sensors, Angle Sensors, Inclination Sensors, Acceleration Sensors, Vibration Sensors, Temperature Sensors, Pressure Sensors and Weight Sensors.

It is our main goal to help our customers to fulfil their needs. Our quality products are designed flexible to meet the application requirements of our customers. Our mission is to help our customers in the engineering phase to reach the wished results by providing customer customized sensor solutions. Our team is highly excited to help you in the stages of your development as well as providing a lifetime support. The combination of our know-how, quality products, flexible customized solutions, extensive lifetime support, and our experienced team is the right solution for you.

