

YUTTAH



Load Cell WE1

www.yuttah.com

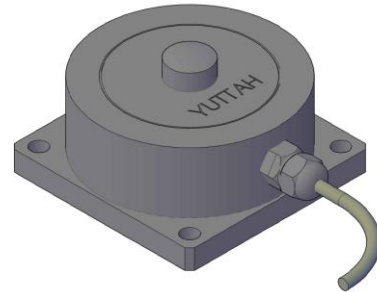
Load Cell WE1 (up to 1 Ton)

YUTTAH

The spoke-style load cell WE1 provides precise weight measurement. The measurement ranges are: 0 to 3 KN ... up to 0 to 10 KN. The Load Cell WE1 is robust, compact, has a long lifetime, with high resistance to load-deflections and with a high protection class.

Technology

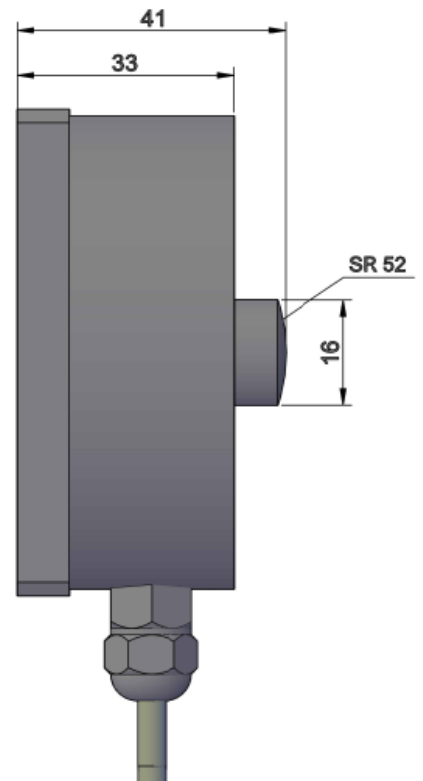
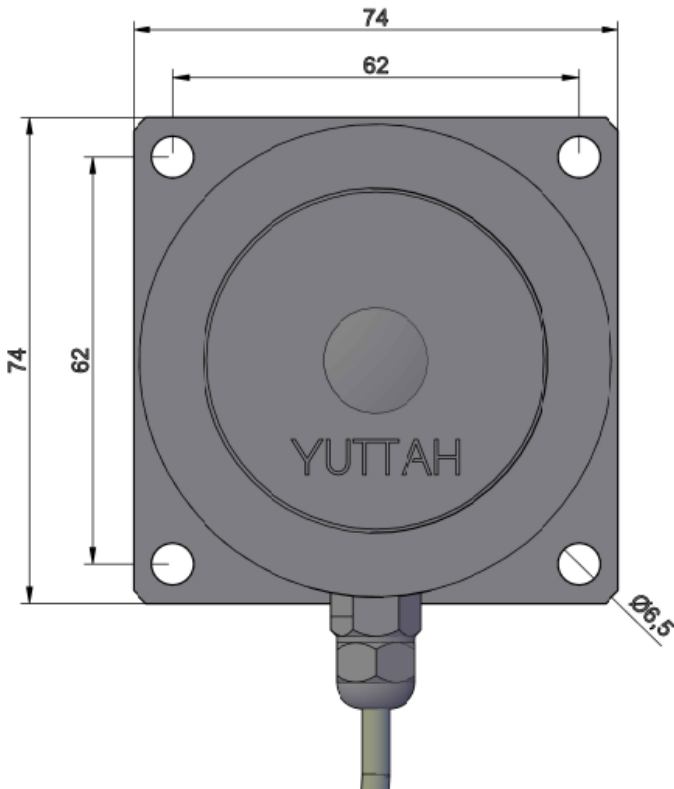
- High-precision Analog load cell
- Compact, robust, and long lifetime
- Spoke style with Low height
- Direct application and easy mounting



Specifications

Measurement ranges	0 to 3 KN ... up to 0 to 10 KN
Rated output	2.0 mV/V
Supply Voltage	Flexible 5 – 15 VDC
Accuracy	+/- 0.05 % F.S
Input resistance	380±10Ω / 750±15Ω
Output resistance	350±3Ω / 700±5Ω
Insulation resistance	≥5000MΩ(50VDC)
Safe Overload	150% F·S
Zero output	±1% F·S
Temperature effect on zero	±0.03% F·S/10°C
Temperature effect on output	±0.03% F·S/10°C
Protection Class	IP66
Operating Temperature	-20 °C to +70 °C
Housing	Alloy Steel or Stainless Steel (17-4Ph)
Electrical connection	Cable (with free ends)
Shock	DIN EN 60068-2-27:2010, 100 g/11 ms, 100 shocks
Vibration	DIN EN 60068-2-6:2008, 20 g 10 Hz-2 kHz, 10 cycles
EMC	DIN EN 61326-1:2013

Drawings



Dimensions in mm

Order Codes / Analog Output

WE1 - 2 - 3 - 4

1

Model

WE1

2

Measurement ranges

0 to 3 KN ... up to 0 to 10 KN

3

Housing

A: Alloy Steel

S: Stainless Steel (grade: 17-4Ph)

4

Cable Length

Cable length in meters: Xm

Example: WE1 - 3KN - A - 3M

Advantages

- High precision
- Compact and robust
- Low height
- High resistance against shocks and vibrations
- High protection class
- Wear-free and maintenance-free
- Long lifetime
- Easy mounting and direct application
- Design flexibility

Applications

- Industrial Applications
- Food / beverage production lines
- Chemical / pharmaceutical industries
- Industrial Vehicles
- Communal Vehicles
- Material Handling
- Forest and Agriculture Machines
- Heavy duty applications
- Power and Energy
- Medical
- Other Applications

YUTTAH

Copyright ©

YUTTAH (FZE)
A4-53, SAIF Zone
500001 Sharjah
United Arab Emirates

Website: www.yuttah.com

Email: info@yuttah.com

YUTTAH is a leading manufacturer of sensors, located in the United Arab Emirates. Our main product lines are: Position Sensors, Angle Sensors, Inclination Sensors, Acceleration Sensors, Vibration Sensors, Temperature Sensors, Pressure Sensors and Weight Sensors.

It is our main goal to help our customers to fulfil their needs. Our quality products are designed flexible to meet the application requirements of our customers. Our mission is to help our customers in the engineering phase to reach the wished results by providing customer customized sensor solutions. Our team is highly excited to help you in the stages of your development as well as providing a lifetime support. The combination of our know-how, quality products, flexible customized solutions, extensive lifetime support, and our experienced team is the right solution for you.

