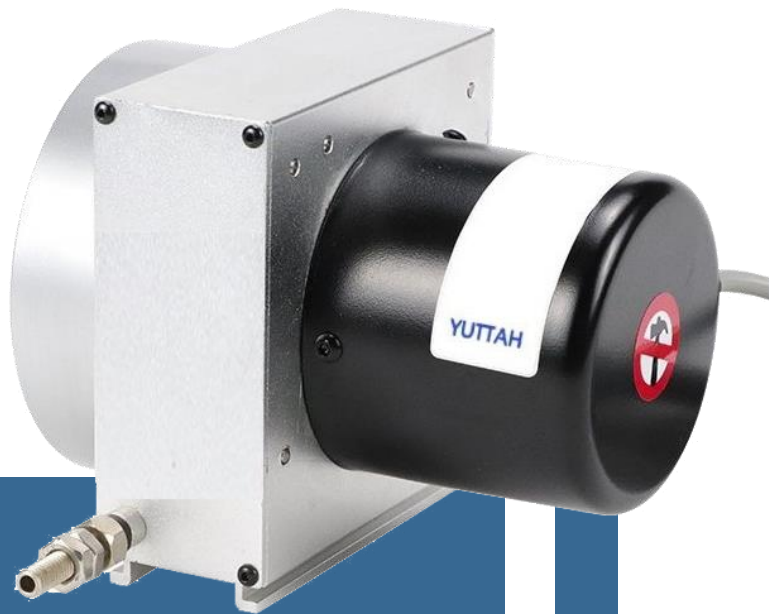


YUTTAH



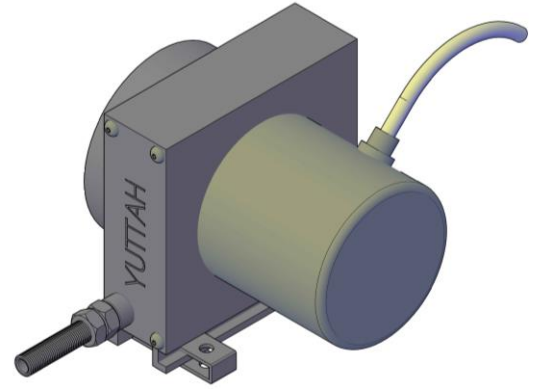
Cable Extension Position Sensor DSW10

www.yuttah.com

The cable extension position sensor DSW10 is developed for linear position measurement in industrial applications. The sensor is an agile and a practical solution for many industrial applications.

Technology

- High-precision linear position sensor
- Cable extension sensor technology
- Measurement ranges available up to 50 meters
- Robust stainless steel wire
- Available with Analog and Digital outputs
- Easy mounting and direct application

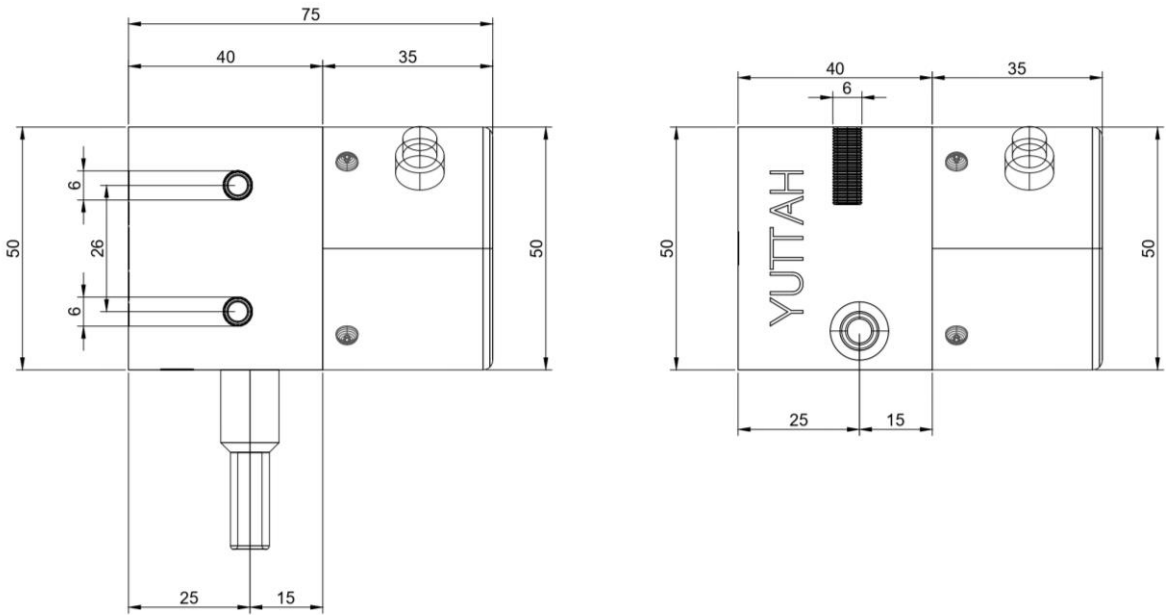


Specifications

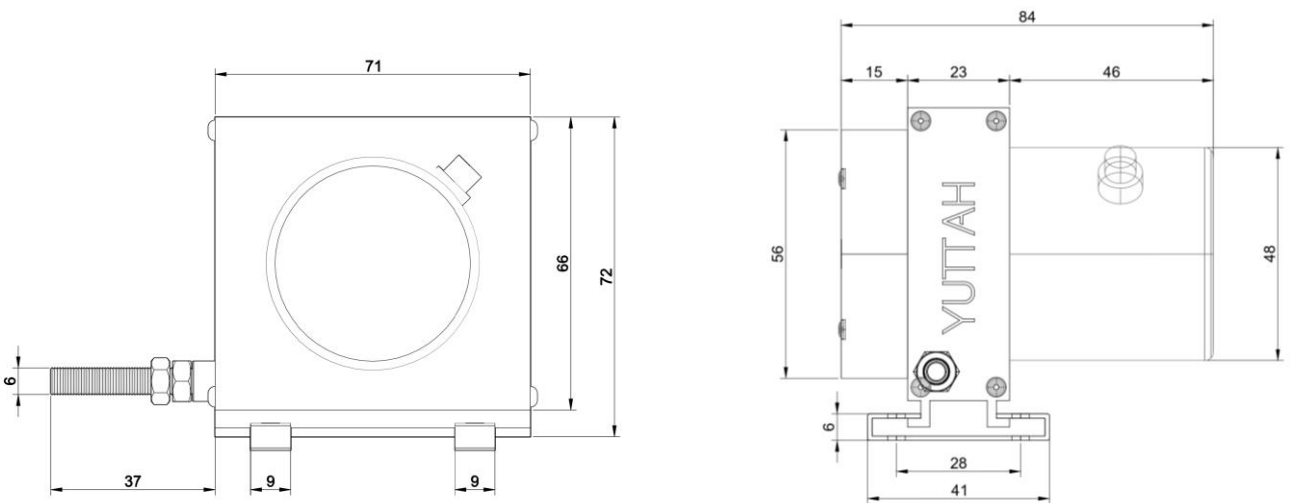
Measurement ranges	All ranges up to 50 Meters
Output options	Analog Output: POT: 0 – 5 k Ω , 0 – 10 k Ω Voltage: 0 – 5 V, 0 – 10 V Current: 4 – 20 mA (2-wire) Current: 4 – 20 mA (3-Wire) Digital Output: RS485 Modbus
Resolution	0.004% F.S
Linearity	\pm 0.1% F.S
Supply Voltage	Flexible 8 – 30 VDC
Excitation Current	30 mA max.
Sensing Device	Precision Potentiometer
Protection Class	IP65
Operating Temperature	-40 °C to +85 °C
Housing	Anodized Aluminum
Mounting	M6
Weight	As per length
EMC	DIN EN 61326-1:2013

Drawings

Measurement ranges: up to 1 Meter



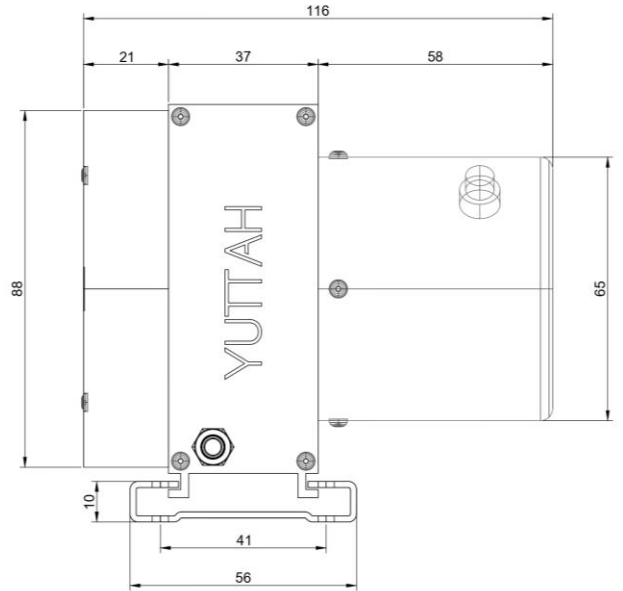
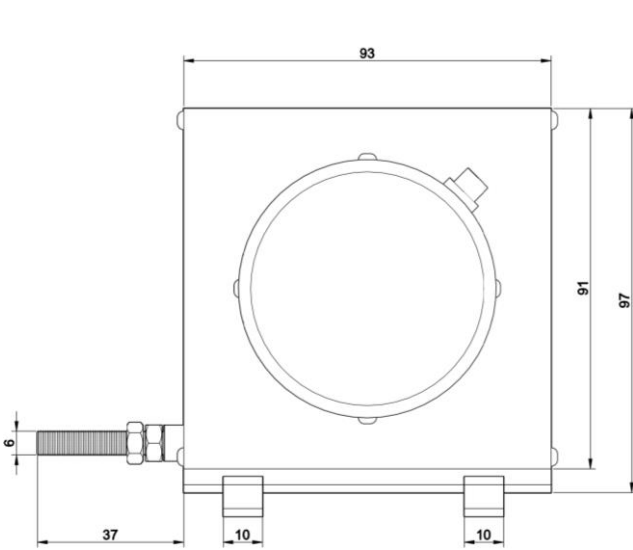
Measurement ranges: up to 2.5 Meters



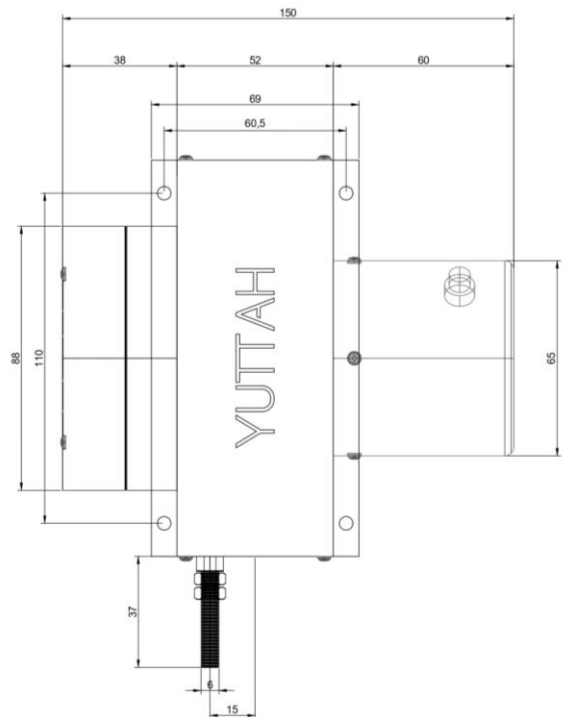
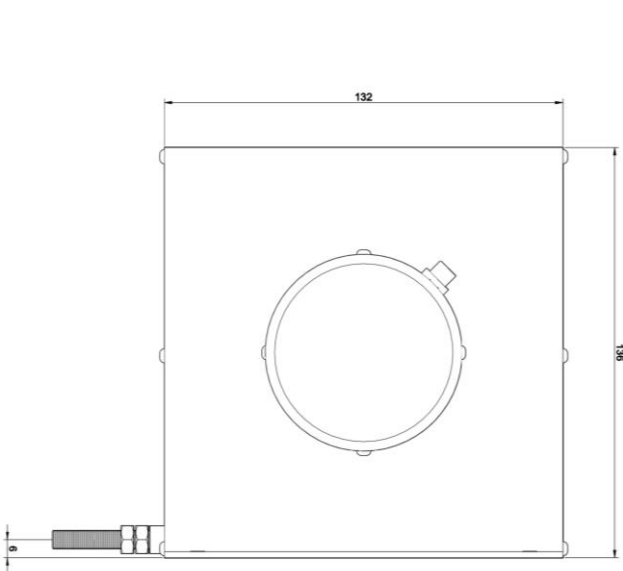
Dimensions in mm

Drawings

Measurement ranges: up to 6 Meters



Measurement ranges: up to 16 Meters



Dimensions in mm

Order Codes / Analog Output

DSW10 - 2 - 3 - 4

1

Model

DSW10

2

Supply Voltage

SV1: Flexible 8 – 30 VDC
SV2: 24 VDC (+/- 5%)

3

Output

A1: 0 – 5 k Ω
A2: 0 – 10 k Ω
A3: 0 – 5 V
A4: 0 – 10 V
A5: 4 – 20 mA (2-wire)
A6: 4 – 20 mA (3-wire)

4

Measurement range

X mm (up to 50000 mm)

Example: DSW10 - SV1 - A4 - 2000

Order Codes / Digital Output

DSW10 - 2 - 3 - 4

1

Model

DSW10

2

Supply Voltage

SV1: Flexible 8 – 30 VDC
SV2: 24 VDC (+/- 5%)

3

Output

RS485 Modbus

4

Measurement range

X mm (up to 50000 mm)

Example: DSW10 - SV1 - RS485/M - 2000

Advantages

- High precision
- Compact and robust
- High resistance against shocks and vibrations
- High protection class
- Long lifetime
- Easy mounting and direct application
- Design flexibility
- Available with different interface options

Applications

- Industrial Applications
- Industrial Vehicles
- Communal Vehicles
- Material Handling
- Forest and Agriculture Machines
- Heavy duty applications
- Power and Energy
- Hydraulic cylinders
- Pneumatic cylinders
- Liquid/Water level
- Other Applications

YUTTAH

Copyright ©

YUTTAH (FZE)
A4-53, SAIF Zone
500001 Sharjah
United Arab Emirates

Website: www.yuttah.com

Email: info@yuttah.com

YUTTAH is a leading manufacturer of sensors, located in the United Arab Emirates. Our main product lines are: Position Sensors, Angle Sensors, Inclination Sensors, Acceleration Sensors, Vibration Sensors, Temperature Sensors, Pressure Sensors and Weight Sensors.

It is our main goal to help our customers to fulfil their needs. Our quality products are designed flexible to meet the application requirements of our customers. Our mission is to help our customers in the engineering phase to reach the wished results by providing customer customized sensor solutions. Our team is highly excited to help you in the stages of your development as well as providing a lifetime support. The combination of our know-how, quality products, flexible customized solutions, extensive lifetime support, and our experienced team is the right solution for you.

